

### 38-7.5-EV4

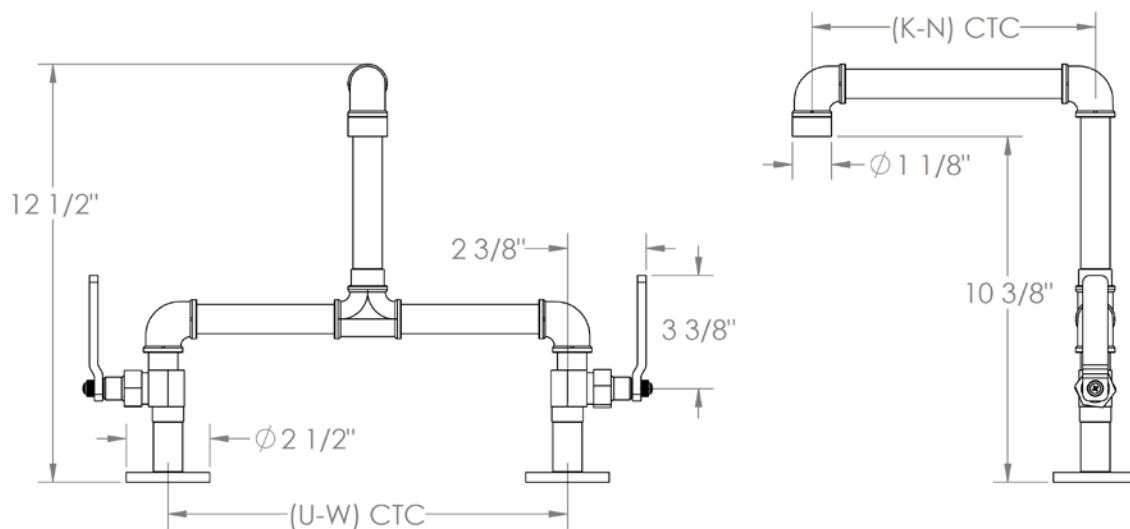
Deck Mounted Bridge Kitchen Faucet

Flow Rate: 1.75 GPM

Note: Please specify ( K-N, U-W )



PROJECTION	MOUNT SPREAD
K = 5.5"	U = 8"
L = 6.5"	V = 12"
M = 7.5"	W = 18"
N = 8.5"	



Meets the applicable requirements of ASME A112.18.1-2005/CSA B125.1-05, entitled "Plumbing Supply Fittings"

# **WATERMARK** DESIGNS 7/12/2018

350 Dewitt Ave Brooklyn NY 11207 USA T 718 257 2800 F 718 257 2144 info@watermark-designs.com